

Masport®

AMBASSADOR OUTDOOR BBQ MODULES

CORNER - S/STEEL

Part Number 552753

Dimensions

Width 630 mm

Depth 630 mm

Height 900 mm

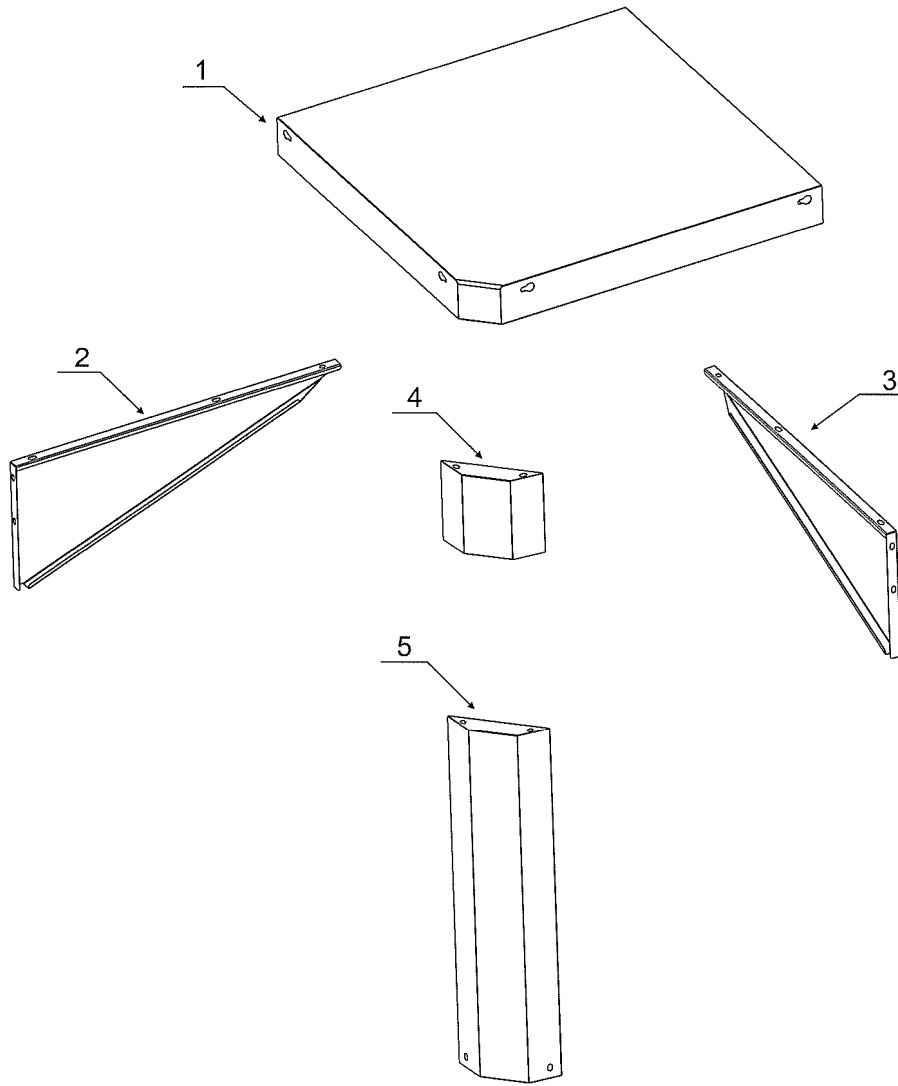
Month and Year of Manufacture: August 2017



Issue b.0
ECN 12253
Aug 2020 PB
REF # 752753



AMB' Corner



Item	Part #	Description	Qty	Not Illustrated	
1	548759	Panel- Top	1	548764	Bolt- Pack SS 1
2	548762	Bracket, LH	1		
3	548763	Bracket, RH	1		
4	548760	Panel- Fascia, Top	S/S 1		
5	548761	Panel- Fascia, Lower	S/S 1		

When ordering spares: PLEASE QUOTE PART NUMBER & Description, NOT illustrated number. Item Qty = 1 per part unless stated differently.
BOLD TEXT = Assemblies. Text starting with * = items included in the assemblies & may not be available as a spares item.
 Determine the left hand or right hand sides by standing in the operating position (standing at the handle).